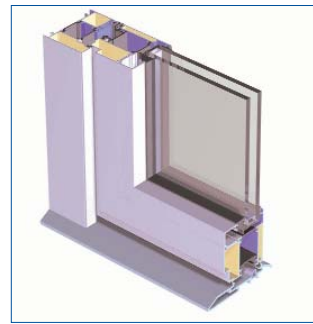
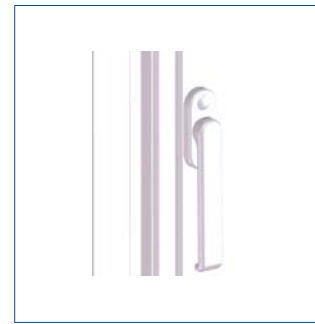


# Key benefits

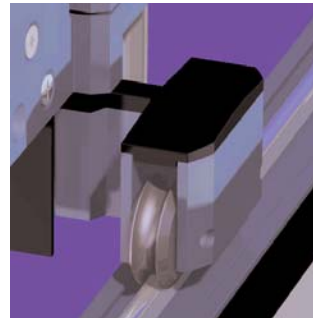
- All kits are made to order and cut to size
- Outerframe mechanically jointed for easy transportation to site
- Standard Dualframe 75mm outerframe - suites directly with other Dualframe products
- Standard Dualframe door hardware
- Complete technical support
- Highly attractive aesthetics
- Low threshold cill for ease of access and superb aesthetics
- Swing leaf restrictor option - restricts the swing of the free leaf to any required angle
- Pull handle hinge option - provides an easy grip position for operating opening outwards doors
- Meeting stile shootbolt has one simple handle to operate both top and bottom bolts
- Slave leaf shootbolt - one central operator for both top and bottom bolts which is completely concealed when the door is closed
- Dualfold is Part L compliant - the polyamide thermal break means the door can achieve a U value of 1.9 W/m2K
- Dual colour capability and suites with the rest of the Dualframe system
- All configurations can open in or out and can be left or right hand sliding
- Can accommodate 24mm, 28mm or 32mm glazing
- Optional trickle ventilation
- Additional security hinge bolt options available



Low threshold cill option



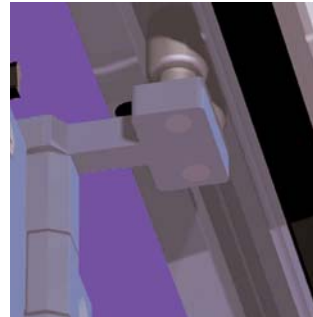
Meeting stile shootbolt handle



Easy-glide stainless steel wheels and track



Lever handles inside and outside



Stainless steel rollers - hidden from view when closed



Over-size door bolt



Concealed wheels and track



Pull handle hinge



Front cover inset image courtesy of Kindlelight Limited.

Dualfold and Dualframe are trademarks of Sapa Building Systems Limited. Our policy is one of continuous development and consequently we reserve the right to vary the products and their performance specification shown in this literature without notice. All products and systems which Sapa supply are supplied subject to Sapa's standard Terms and Conditions of Sale. © Sapa Building Systems Limited. This brochure is issued subject to the condition that it shall not be reproduced without the consent of Sapa Building Systems Limited in writing

Brochure reference DFC75 1108. This is the latest version of our Dualfold leaflet. All other Dualfold leaflet versions are now obsolete.

## Sapa Building Systems Limited

Postal address Alexandra Way, Ashchurch, Tewkesbury, Gloucestershire GL20 8NB  
Telephone 01684 853500 Fax 01684 851850  
E-mail [info@sapabuildingsystems.co.uk](mailto:info@sapabuildingsystems.co.uk) Website [www.sapabuildingsystems.co.uk](http://www.sapabuildingsystems.co.uk)

## Dualfold Sliding folding doors

Sapa Building System

# Dualfold

## Sliding folding door system

Dualfold now offers 36 different opening configurations as well as endless colour combinations. PLUS - Part M compliant, low threshold option

Demand for sliding folding doors continues to grow with homeowners increasingly opting for the wide openings offered by this style of door.

Based on our tried and trusted Dualframe system we developed Dualfold with a host of unique features and benefits that we believe ensure this is a door that far exceeds the standards of other similar doors available today.

With the same slim sightlines and true dual colour options as the rest of our Dualframe range, Dualfold carries the weight of the panels on the bottom wheels to remove the reliance on the lintel above and thus remove the risk of frame distortion.

The easy-glide stainless steel wheels offer smooth operation but are also totally obscured from view once the door is closed whilst the standard Dualframe outerframe means that floor coverings can be fitted right up to the cill

making the visible threshold height very low - ideal for domestic applications.

Dualfold features door hardware with a Eurogroove multipoint locking system which is far stronger than the 'window' hardware used on most doors of this kind. This means that Dualfold can be fully operated from outside as well as inside.

From two to seven pane, open in or out door sets are available. Doors can be designed to slide either to the left or right to suit the project requirements. Full adjustability means that the door can be fabricated and installed in one visit, removing the need for final panel measurements to be taken once the frame is fixed.

Dualfold is supplied in kit form in a variety of configurations to suit your customer's individual requirements and is easily assembled and installed on site.

### Two, four and six pane folding only options now available

In response to high customer demand, we have introduced a new sliding jamb adaptor (DF908) which gives you even more door combinations to offer to your customers. The new sliding jamb adaptor allows you to create two, four and six pane folding only door combinations.

Locking is performed by a centralised flat handle in the hinged stile which throws two opposing 10mm steel locking bolts into the outer frame. Security is further complemented with anti-lift blocks incorporated in the roller stile, an additional face-fixed lock and security dog bolts located in the sliding jamb adaptor profile as standard. Additional security dog bolts and face-fixed lock can be ordered as an optional extra. All of these new options are available in kit form alongside our standard Dualfold door kits.

Tested to BS6375 Part 1:2004 and achieved the highest classification:

	Open in	Open out
Air permeability* -	Class 4 (600 Pa)	Class 4 (600 Pa)
Water tightness* -	Class 3A (150 Pa)	Class 7A (600 Pa)
Wind resistance* -	Class 4 (1600 Pa)	Class 4 (1600 Pa)

\*Weather performance for the low threshold version of the Dualfold door meets UK exposure category 800x (150 Pa - air; 50 Pa - water; 800 Pa - gust), (BS6375-1:2004). This door should not be used in exposed conditions and, as with any low threshold door, additional measures to prevent water coming into contact with internal floors may be required.

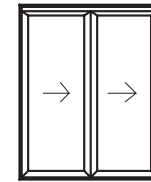
### Sizes

Maximum leaf width - 1000mm	Maximum leaf height - 2283mm
Maximum leaf weight - 100kg	Maximum overall width (770 configuration) - 6200mm

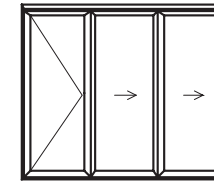
The above minimum and maximum dimensions do not apply to the low threshold door. For further details of overall sizes please consult Sapa Building Systems' detailed Product Manual.

## Configurations now available

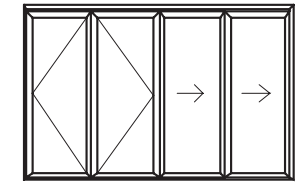
All configurations open-in or open-out and left or right hand sliding.



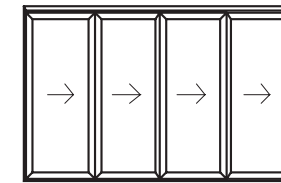
Two pane configuration 220  
(2 panes, 2 sliding, 0 swing)



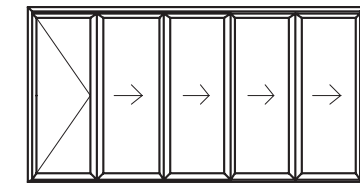
Three pane configuration 330  
(3 panes, 3 sliding, 0 swing)



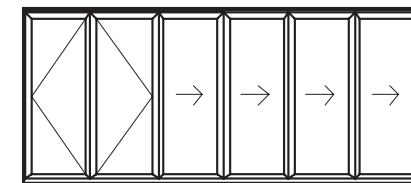
Four pane configuration 431  
(4 panes, 3 sliding, 1 swing)



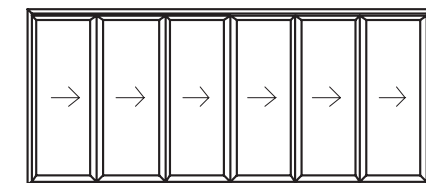
Four pane configuration 440  
(4 panes, 4 sliding, 0 swing)



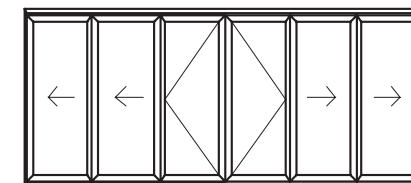
Five pane configuration 550  
(5 panes, 5 sliding, 0 swing)



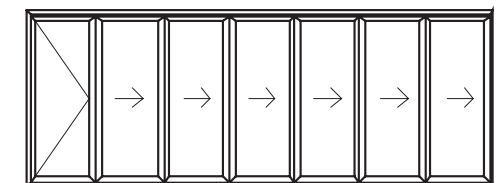
Six pane configuration 651  
(6 panes, 5 sliding, 1 swing)



Six pane configuration 660  
(6 panes, 6 sliding, 0 swing)



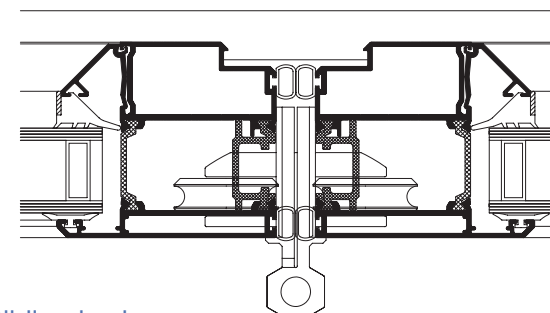
Six pane configuration 633  
(6 panes, 3 + 3 sliding, 0 swing)



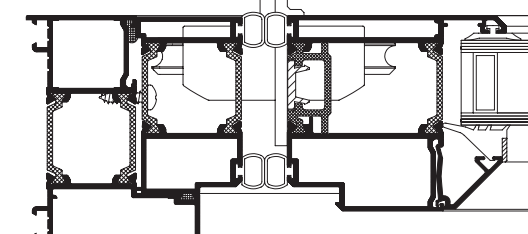
Seven pane configuration 770  
(7 panes, 7 sliding, 0 swing)

## General arrangements

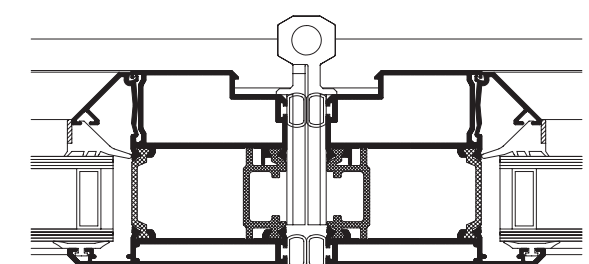
Rolling meeting stiles (open out)



NEW Sliding jamb adaptor (open out)



Hinged meeting stiles (open in)



NEW Sliding jamb adaptor (open in)

